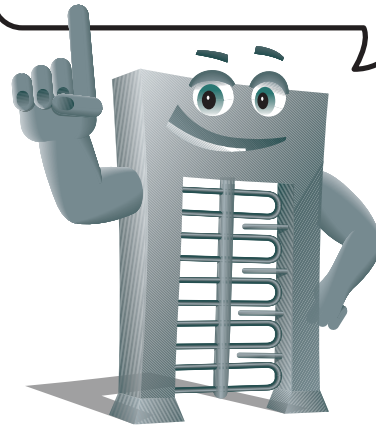


TRIUMPH

FULL HEIGHT INDUSTRIAL TURNSTILE



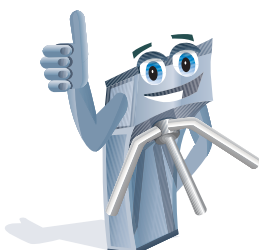
Number one in Africa



Turney™ is a member of the Turnstar family

- With a wide range of applications, the TRIUMPH is the biggest selling turnstile in Africa
- A combination of durability and reliability means that the TRIUMPH is the most widely used turnstile in Africa's mining industry
- Exported worldwide

APPLICATIONS	<ul style="list-style-type: none"> • Suited for applications requiring high volume access and high levels of security • Used extensively in applications such as mines, factories, warehouses and stadia
DESIGNED FOR	<ul style="list-style-type: none"> • Interior and exterior installations • Severe operating conditions
AVAILABLE CONFIGURATIONS	<ul style="list-style-type: none"> • 3 arm (120°), 4 arm (90°) and 5 arm (72°) • Single and Double



Tridey™ is a member of the Turnstar family



Traffey™ is a member of the Turnstar family

TURNSTAR 
 RELIABLE ★ DURABLE ★ GUARANTEED

What do you need to know when buying a turnstile?



In terms of the price, is the turnstile supplied complete or are there any hidden extras?

Turnstar units are supplied 100% complete. Control panels are ready for power and data connections. Reader mounting brackets are available for full height turnstiles for the mounting of access readers, ticketing equipment, pushbuttons and coin or token acceptors.



What are the running costs?

With a long-established reputation for being exceptionally reliable and durable, Turnstar turnstiles are built to give years of cost-free and fault-free service with no routine maintenance. Our products are a fit-and-forget solution.



Is this turnstile robust enough for the job? Am I going to have failures during service?

Turnstar products are designed for the harshest of environments and have become the standard for Africa's mining industry, which is known for extreme operating conditions. Production is carried out by state-of-the-art CNC machinery and robotic welding, all of which provide products of the highest quality and to the tightest of tolerances.



How long is the guarantee and is this an extra cost?

Turnstar's industry leading Five-Year Guarantee is included in the purchase price.



What does the guarantee cover?

All mechanical components, including ratchet disk and locking pawls, are covered by the Turnstar Five-Year Guarantee. The control panel, microswitches and solenoids are covered by a one-year guarantee.



Can you trust the turnstile supplier?

Established in 1990, Turnstar has manufactured and sold over 20 000 turnstiles. Our customers range from the world's largest blue chip corporations to single-site retailers. As one of the world's leading manufacturers, we have an unrivalled reputation for outstanding products backed by superior customer service.



Will the turnstile work with all types of access systems?

Turnstar turnstiles operate with all forms of electronic access control, ticketing and time & attendance systems. In addition, they can be operated with pushbutton controls, remote transmitters and coin or token acceptors.



What will happen to the turnstile in the event of a power failure?

The turnstile can be factory-set for either fail-secure (auto-lock on power failure) or fail-safe (auto-unlock on power failure) operation. The turnstile can also be unlocked by means of the mechanical key override which is supplied standard with the turnstile. A battery backup system is also available on request, which will provide normal operation under conditions of no power.



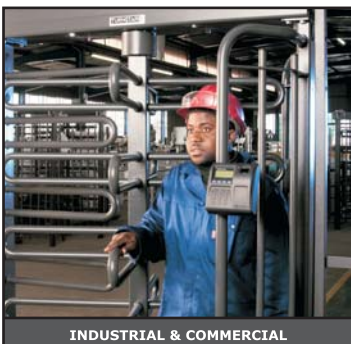
What other products are available with the turnstile?

Turnstar manufactures pedestrian gates and security barriers for use with all our turnstiles. We also supply special colours, and manufacture turnstiles in custom sizes and designs.



Where can I find out more about the unbeatable value from Turnstar?

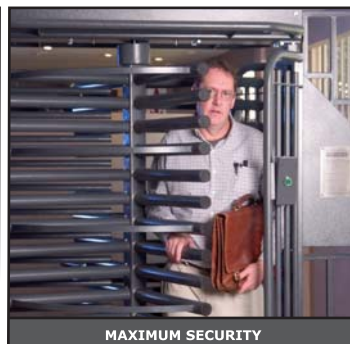
Go to www.turnstar.co.za for more information on our product range, projects and client base.



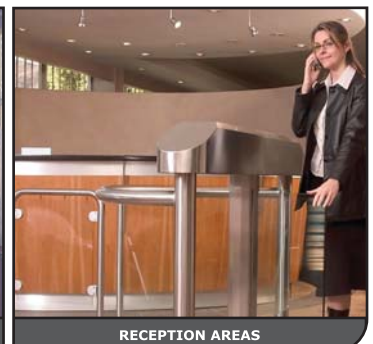
INDUSTRIAL & COMMERCIAL



ACADEMIC INSTITUTIONS



MAXIMUM SECURITY



RECEPTION AREAS

Unique features of the TRIUMPH turnstile range

ROTALOK® ROTATION LOCKING MECHANISM

- Fitted to all TRIUMPH turnstiles
- Ultra heavy-duty electromechanical rotation locking mechanism
- Bi-directional operation
- Designed by professional engineers
- Tried, tested and perfected over a period of more than 20 years

RELIABLE



TECHNOLOGY

- Suspended rotor technology – eliminating stress on the base bearing
- Self-centering rotation system – rotor returns to starting position after every rotation
- Shock absorbing rubber coupling system
- Anti-trap® safety system - no mid-rotation locking or trapping in the event of a power failure
- Programmable PLC logic with user diagnostic features
- Mechanical key override – clockwise and anticlockwise directions

DURABLE



FEATURES

- Zinc plated for corrosion resistance
- Ultra quiet, buffered solenoids and pawls
- Solenoids rated for 100% duty cycle
- Case hardened locking disk and pawls – eliminating any wear
- Factory settings need no further adjustment
- No routine maintenance whatsoever, ever

GUARANTEED



MANUFACTURED TO LAST

- 5 year mechanical guarantee
- 1 year electrical guarantee

ROTARUN® PERPETUAL BASE BEARING

- Fitted to all TRIUMPH turnstiles

RELIABLE



TECHNOLOGY

- Combination of stainless steel and self-lubricating engineering plastics

DURABLE



FEATURES

- Designed for the harshest of conditions
- 100% corrosion resistant
- Unaffected by dust, dirt or moisture
- Self-lubricating

GUARANTEED



MANUFACTURED TO LAST

- Zero maintenance
- 5 year guarantee

Technical Specifications






POWER	220 Volt AC (110 Volt AC on request)	
FREQUENCY	50Hz / 60Hz	
POWER CONSUMPTION	50W (single turnstile) / 100W (double turnstile)	
SOLENOID VOLTAGE	24 Volt DC (12 Volt DC on request)	
LOGIC VOLTAGE	24 Volt DC	
DIMENSIONS	Single turnstile:	<ul style="list-style-type: none"> • 1 400mm wide x 2 125mm high • 1 430mm wide x 2 250mm high - recommended minimum opening size
	Double turnstile:	<ul style="list-style-type: none"> • 2 150mm wide x 2 125mm high • 2 180mm wide x 2 250mm high - recommended minimum opening size
ROTOR DIAMETER	1 200mm	
ROTOR ARM CONFIGURATION	<ul style="list-style-type: none"> • 3 arm (120°) • 4 arm (90°) • 5 arm (72°) – ultra secure 	
ROTOR ARMS	32mm diameter U-tube arms spaced 165mm apart	
WEIGHT	Single turnstile (4 arm)	160kg
	Double turnstile (4 arm)	255kg
DESIGN	Modular bolt-together design for ease of transport and installation. Components can pass through a standard door. Can be packed in broken-down form either onto a pallet or into a crate for transport	
SYSTEMS INTEGRATION	<ul style="list-style-type: none"> • Integrates with all access control and time & attendance systems • Unlocking for entry / exit rotation controlled through normally open dry contact • Transaction / Rotation complete output • Integral wireways with draw wires in place – no exposed wires 	

Manufacturing options

ROTATION OPTIONS	<ul style="list-style-type: none"> • Electrically controlled bi-directional rotation (factory standard) • Mechanically controlled uni-directional rotation by means of key override • Free rotation
LOCKING OPTIONS	<ul style="list-style-type: none"> • Fail-secure auto-lock on power failure (factory standard) • Fail-safe auto-unlock on power failure • Each direction of rotation configurable for either fail-secure or fail-safe operation
FIRE ALARM OPTIONS	<ul style="list-style-type: none"> • Free rotation when triggered indefinitely (logic programmed for either direction of rotation on request)
POWER OPTIONS	<ul style="list-style-type: none"> • Battery backup with two 12 volt 7Ah batteries connected in series <ul style="list-style-type: none"> o Up to 1 000 transactions in fail-secure mode o Up to 60 minutes operation in fail-safe mode
FLAT ROOF CANOPY OPTION	<ul style="list-style-type: none"> • Provides protection from the elements • Anti-climb protection • Low energy light on underside of canopy
SPECIAL PHYSICAL DESIGN OPTIONS	<ul style="list-style-type: none"> • Restrictor tubes for increased security (4 arm turnstile only) • 180° rotation setting for extra walkthrough space (4 arm turnstile only) • Special narrow single turnstile design of 1 200mm wide • Special split cover for low ceilings • Special internal mechanism dust cover for dirty environments • Heavy-duty base for portability (with forklift channels)
ACCESSORY OPTIONS	<ul style="list-style-type: none"> • Card / Proximity reader mounting brackets • Biometric / Fingerprint reader mounting brackets • Single / Double pushbutton in plastic housing • LED red cross & green arrow indicator light • Multiple coin acceptor for pay-for-entry systems • LCD transaction counter with reset key switch • Random search device
FINISH OPTIONS	<ul style="list-style-type: none"> • Mild steel with UV resistant polyester exterior powder coat finish (charcoal blue hammertone) <input type="checkbox"/> • Mild steel with hot dip galvanised finish <input type="checkbox"/> • Mild steel hot dip galvanised with UV resistant polyester exterior powder coat finish (charcoal blue hammertone) <input type="checkbox"/> • 304 grade brushed stainless steel • 316 grade brushed stainless steel <input type="checkbox"/>
	<ul style="list-style-type: none"> <input type="checkbox"/> suitable for corrosive environments (details available on request) <input type="checkbox"/> other colours available on request

- 1 Rotalok® rotation locking mechanism and electronic control panel
– Incorporates:
 - Anti-Trap® safety system
 - Suspended Rotor technology
- 2 Lockable top cover
- 3 Mechanical key override
- 4 Shock absorbing rubber coupling
- 5 32mm diameter U-tube arms spaced 165mm apart
- 6 Access control reader mounting position
- 7 LED indicator light mounting position
- 8 Rotarun® perpetual base bearing
- 9 Wiring side entry point
- 10 Wiring bottom entry point
- 11 Floor bolting positions – 7 Off
- 12 Wall bolting positions – 2 Off

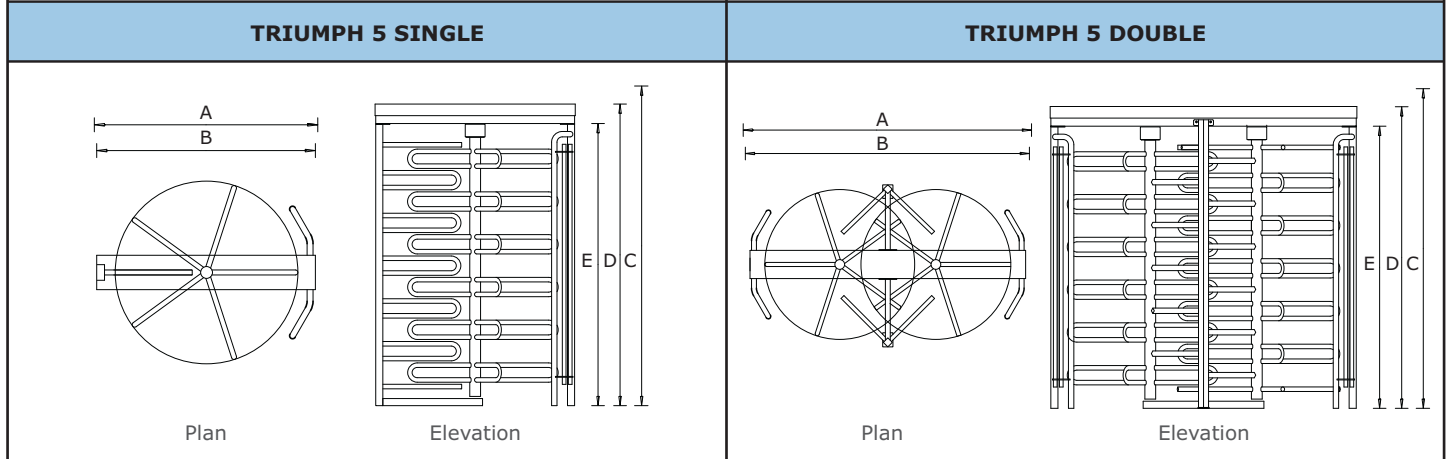
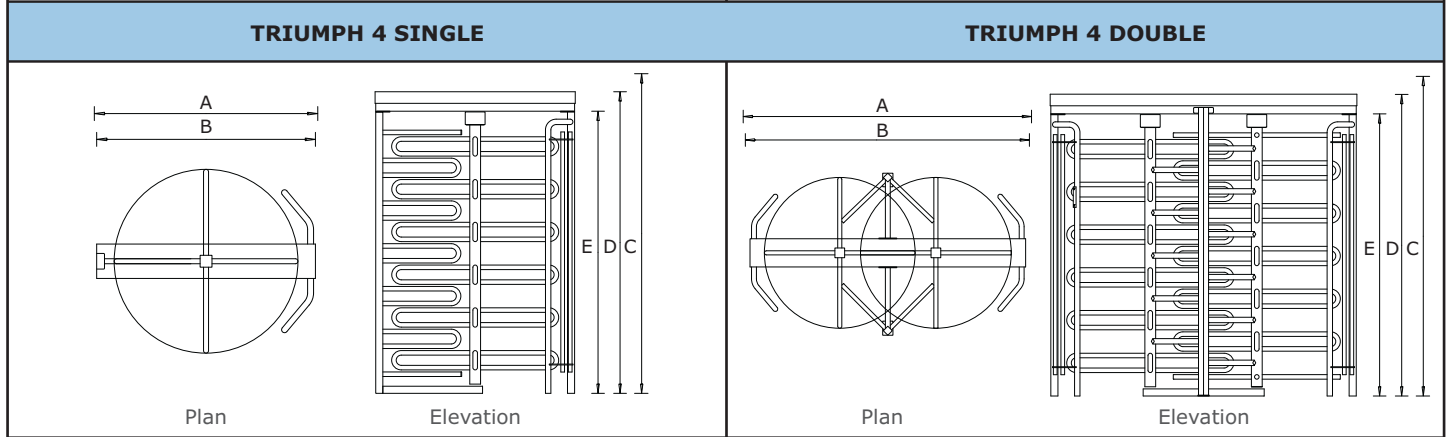
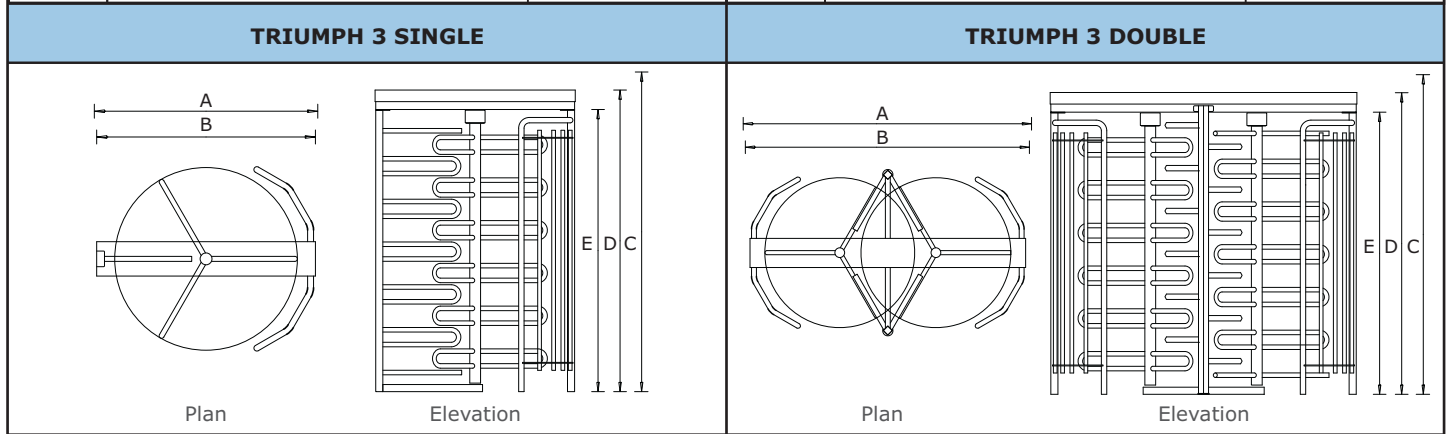


TRIUMPH 3 SINGLE	TRIUMPH 4 SINGLE	TRIUMPH 5 SINGLE
		
TRIUMPH 4 DOUBLE		TRIUMPH PORTABLE RANGE
		



TRIUMPH RANGE

TRIUMPH SINGLE RANGE			TRIUMPH DOUBLE RANGE		
A	Recommended opening width	1 430mm	A	Recommended opening width	2 180mm
B	Turnstile width	1 400mm	B	Turnstile width	2 150mm
C	Recommended opening height	2 250mm	C	Recommended opening height	2 250mm
D	Turnstile height	2 125mm	D	Turnstile height	2 125mm
E	Headroom	1 986mm	E	Headroom	1 986mm



Due to our policy of continuous improvement, products are subject to change without notice. Custom designs available on request.

- Sole supplier of turnstiles to the ICC Cricket World Cup 2003
- Sole supplier of turnstiles to the CAF African Cup of Nations, Ghana 2008
- Sole supplier of turnstiles to the Green Point, Soccer City, Ellis Park, Loftus Versveld, Royal Bafokeng, Bloemfontein, Nelspruit and Polokwane South African National Football Stadiums

Turnstar Systems CC Reg No 1990/011871/23
 319, 5th Street, Wynberg, Sandton 2090, South Africa
 PO Box 41, Highlands North 2037
 Tel 0861 TURNSTAR / TURNSTILE
 Tel +27(0)11 786 1633 / Tel +27 (0)11 021 8669/70 Fax +27(0)11 440 5839
info@turnstar.co.za www.turnstar.co.za